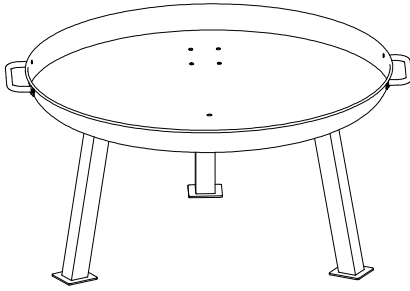
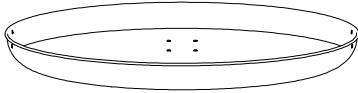


po 'di fame
little hungry

Roadhouse Fire Pit Assembly Instructions



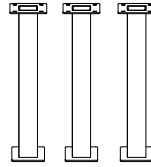
Part: A Qty: 1



Part: B Qty: 2



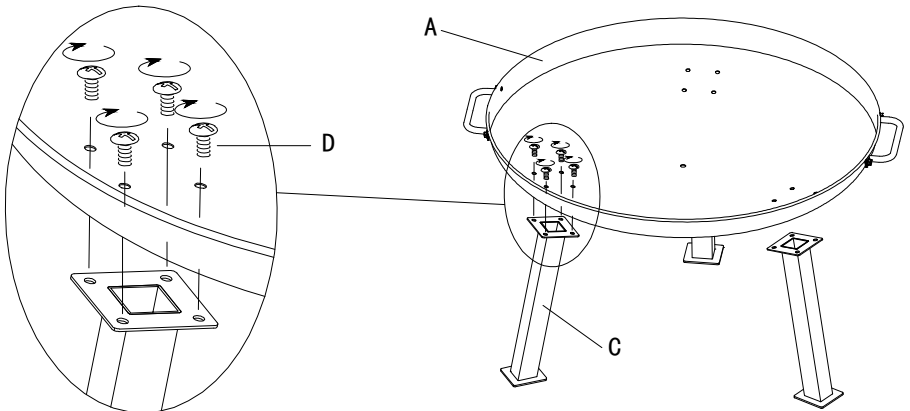
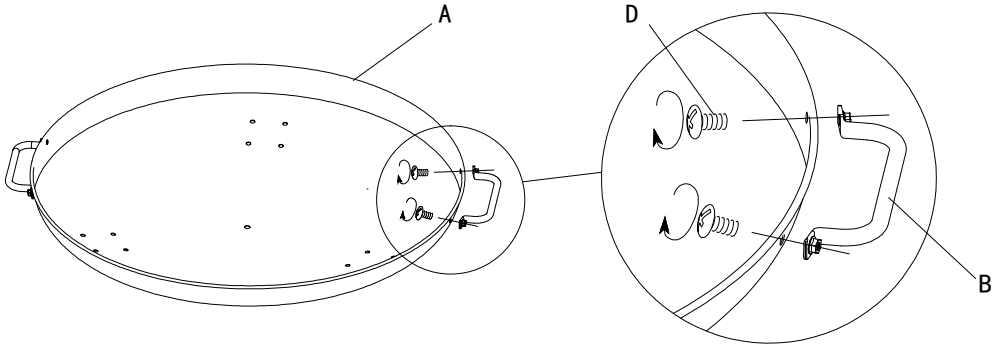
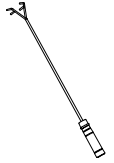
Part: C Qty: 3



Part: D Qty: 16



Part: E Qty: 1



IMPORTANT SAFETY WARNINGS



**READ ALL SAFETY WARNINGS AND INSTRUCTIONS CAREFULLY
BEFORE ASSEMBLING AND OPERATING YOUR FIRE PIT.**

WARNING

- Only use this Fire Pit on a hard, level, non-combustible, stable surface (concrete, ground etc.) capable of supporting the weight of the Fire Pit. Never use on wooden or other surfaces that could burn.
- Proper clearance of 3m between the Fire Pit and combustible material (bushes, trees, wooden decks, fences, buildings, etc.) or construction should be maintained at all times when Fire Pit is in use. Do not place Fire Pit under a roof overhang or other enclosed area. Not adhering to these clearances will prevent proper ventilation and may increase the risk of a fire and/or property damage, which could also result in personal injury.
- For outdoor use only. Do not operate Fire Pit indoors or in an enclosed area.
- For household use only. Do not use this Fire Pit for other than its intended purpose.
- Do not use gasoline, kerosene or alcohol for lighting the Fire Pit. Use of any of these or similar products could cause an explosion possibly leading to severe bodily injury.
- Place Fire Pit in an area where children and pets cannot come into contact with unit. Close supervision is necessary when Fire Pit is in use.
- Do not leave Fire Pit unattended when in use.
- Do not store or use Fire Pit near gasoline or other flammable liquids, gases or where flammable vapors may be present.
- Use caution when assembling and operating your Fire Pit to avoid scrapes or cuts from sharp edges of metal parts. Use caution when reaching into or under Fire Pit.
- In windy weather, place Fire Pit in an outdoor area that is protected from the wind.
- Never leave ashes in Fire Pit unattended. Before Fire Pit can be left unattended, remaining ashes must be removed from Fire Pit. Use caution to protect yourself and property. Carefully place remaining ashes in a non-combustible metal container and saturate completely with water. Allow ashes and water to remain in metal container 24 hours prior to disposing.
- Extinguished ashes should be placed a safe distance from all structures and combustible materials.
- With a garden hose, completely wet the surface beneath and around Fire Pit to extinguish any ashes which may have fallen during use.
- After each use, clean the Fire Pit thoroughly. Do not allow the Fire Pit to fill with rain water
- Use caution when lifting or moving Fire Pit to prevent strains and back injuries.
- We advise that a fire extinguisher be on hand. Refer to your local authority to determine proper size and type of fire extinguisher.
- Store the Fire Pit out of reach of children and in a dry location when not in use.
- Properly dispose of all packaging material.
- Only use dry wood so you can achieve maximum warmth from your Fire Pit. Green wood will lead to a smoky cold fire.
- Do not stack over-sized pieces of wood in the Fire Pit. Do not load Fire Pit above the solid base area of the Fire Pit. It is not a furnace and roaring fires are not recommended.
- Do not burn treated or painted wood as this may release toxins harmful to you and the environment.

USE CAUTION AND COMMON SENSE WHEN OPERATING YOUR FIRE PIT.

**FAILURE TO ADHERE TO SAFETY WARNING AND GUIDELINES IN THIS MANUAL COULD
RESULT IN BODILY INJURY OR PROPERTY DAMAGE.**

SAVE THIS MANUAL FOR FUTURE REFERENCE.