

Instruction Manual

1. Model

This Instruction is for Hanging Lamp with BT Speaker.

2. Specification

● Ambient temperature for operation	-14° C to 35° C
● LED	RGB+W LED
● Battery	Rechargeable Li-ion battery
● DC USB Charging time	4~6 hours depends on power supply
● Working time	4-6 hours depends on color mode and sound volume
● Charging input	5V 1A
● IP Rating	IP44
● Remote control	4~8 meters

3. Warnings and Cautions

- The remote control and USB cable are not waterproof and must be kept in a dry location at all times.
- This product is not designed to be used in pools or ponds.
- Never charge the product in a pool, water or rain; charge in a dry, indoor location.
- Disconnect the power supply from main power when not in use.
- Do not stand or jump on this product.
- Do not sit on this product if it is cracked or damaged.
- Keep the product away from chemicals and heat.
- Do not attempt to open the product
- Product will not be under warranty if opening it without permission
- The device can be only charged by max. 5V output charger, if over 5V, the battery will be broken.

**Notice: All icons from this instruction are for reference only, please refer to the actual product for details.*

4. Operation

4.1 Product with Accessories

- (1) 1X Lampshade
- (2) 1X DC USB cable
- (3) 1X Remote control



(1)



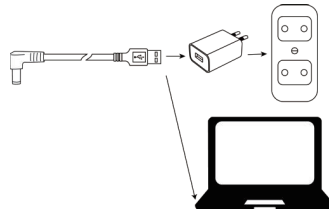
(2)



(3)

4.2 Charging your LED Lamp with BT speaker

The battery of this lamp is recharged by its cable supplied on a computer, or a max. DC 5V output charger not supplied.



4.3 Turn your LED Lamp with BT Speaker

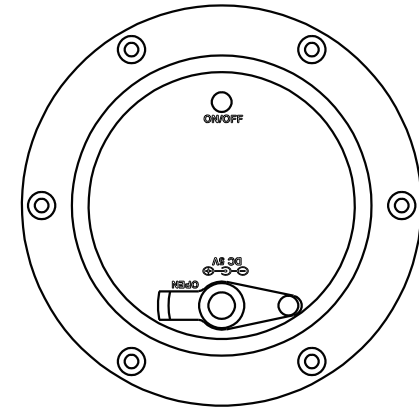
1. Short-press the power button on the speaker bottom. The light and BT will turn on automatically.

2. Short-press the power button on the speaker bottom again. The light and BT will turn off automatically. Only after you press the button on the speaker is the speaker truly turned off.

The speaker is now visible to your smart-phone (or tablet, etc.)

Select "Twilight" on your smart-phone's list of available Bluetooth devices. You will hear another beep once the devices are connected via Bluetooth.

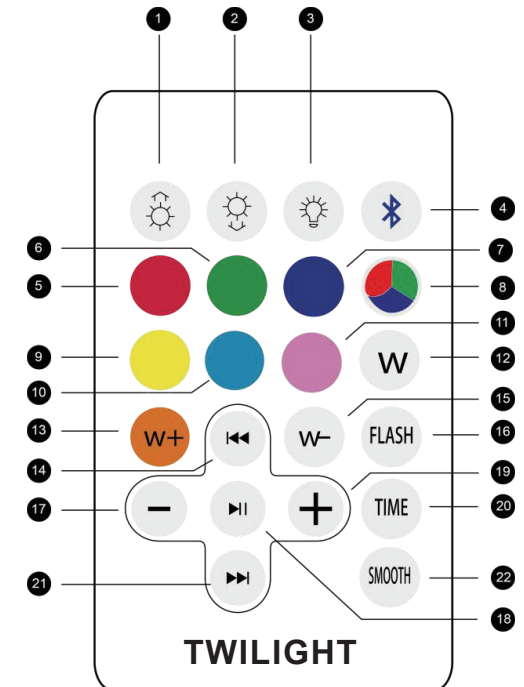
Play music on your smart-phone and control the playback, volume and light effects using the speaker remote control.



5. How to use remote control

5.1 Button on remote (Photo 4)

1. Brightness up
2. Brightness down
3. LED lights on/of
4. Bluetooth on/of
5. Red LED light
6. Green LED light
7. Blue LED light
8. Select LED colours manually
9. Yellow LED light
10. Light-blue LED light
11. Pink LED light
12. White LED light
13. Warm white LED light
14. Previous song
15. Warm white light down
16. Music-controlled LED light
17. Volume down
18. Play/pause
19. Volume up
20. Timer
21. Next song
22. Soft colour change



*Notice:

1. Remove the small plastic sheet from the battery cover before using the remote control.
2. Please return this plastic sheet to remote control when not using to save battery power.

6. Maintenance for Product and Accessories

Cleaning: It is recommended that after use the products are turned off, rinsed using clean water and dried using a soft cloth. When not using: Store these products out of reach of children and direct sunlight when not in use.